



STROMIZMERITEL

## **/ EQUIPMENT FOR LOADING AND UNLOADING OF FREE-FLOWING MATERIALS**



- MODELS
- APPLICATION

- CHARACTERISTICS
- SPECIFICATION



## Contents:

Big bag unloading and loading stations.....	2
Big bags unloading stations SRB.....	3
Big bags unloading stations SRM.....	5
Big bag loading station UZB-1.....	7
Big bag loading station UZB-2.....	9

## *Big bag unloading and loading stations*

"Stromizmeritel" manufactures several modifications of big bags unloading stations and loading stations.

Big bags unloading stations SRB manufactured by 'Stromizmeritel' are used for agitating and uniform emptying flowing materials from big bags to storage bins or conveying equipment. Bags unloading stations SRM manufactured by 'Stromizmeritel' are used for agitating and uniform emptying flowing and small lumps materials (up to 6 mm) in different industries.

Louvre-type grates of different structure with movable (bending) and fixed flaps manufactured by 'Stromizmeritel' are used to reduce dust emission when unloading dusty materials from big bags and hopper wagons into receiving hoppers. It is possible to use louvre-type grates for overloading of small lumps materials.

In the process of filling bags the big bag loading stations UZB manufactured by 'Stromizmeritel' allow to control the weight of the materials filled as per digital display of the control block. The stations are equipped with air supply nozzles for blowing bags and aspiration pipe-bends for dust-loaded air.

## BIG BAGS UNLOADING STATIONS

### SRB

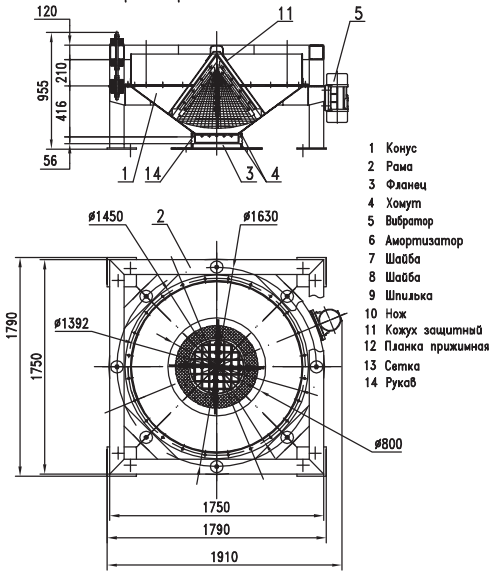
#### APPLICATION

The big bags unloading station SRB-1 (CPБ-1) consists of a frame, a conic receiving hopper with a rubber packing and a grid for lumps holdup, knives for big bags cutting and an unbalanced mass vibration generator. In the process of unloading at SRB-1 (CPБ-1) a big bag is held by a lift and transfer mechanism that's why the unloading of different materials is performed sequentially. For parallel unloading of several big bags the unloading station SRB-2 (CPБ-2) is used, the structure of which includes an additional frame, adjustable for height and cross traverse, to which a big bag is fixed. The presence of a traverse allows using the lift and transferring mechanism for other operations after the big bag is fixed for unloading. The station SRB-4 (CPБ-4) has smaller dimensions and is recommended for usage in space-limited process plants.

#### BASIC TECHNICAL SPECIFICATIONS

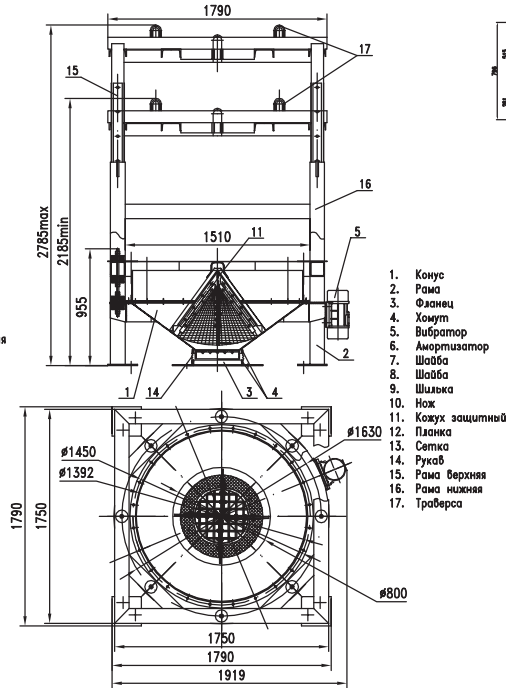
Parameter name	SRB-1	SRB-2	SRB-3	SRB-4
Big bag volume, m <sup>3</sup>	1,2			
Loading shell size, mm	1390			1200x1200
Power supply voltage, V	380±38			
Watt consumption, kW	0,62 (0,55 for SRB-3)			
SRB mass, kg	470	1500	470	280
Limit load, kg	1000			
Ambient temperature, °C	+5...+40			

Станция растаривания биг-бэгов СРБ-1



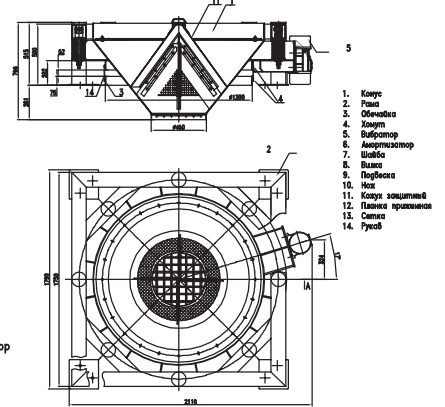
- 1 Конус
- 2 Рама
- 3 Фланец
- 4 Хомут
- 5 Вибратор
- 6 Амортизатор
- 7 Шабла
- 8 Шабла
- 9 Шилька
- 10 Нож
- 11 Кожух защитный
- 12 Планка пружинная
- 13 Сетка
- 14 Рукоб

Станция растаривания биг-бэгов СРБ-2



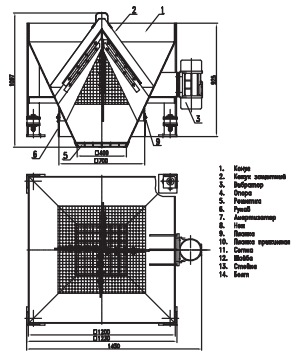
1. Конус
2. Рама
3. Фланец
4. Хомут
5. Вибратор
6. Амортизатор
7. Шабла
8. Шабла
9. Шилька
10. Нож
11. Кожух защитный
12. Планка пружинная
13. Сетка
14. Рукоб
15. Траверса
16. Рама нижняя
17. Рама верхняя

Станция растаривания биг-бэгов СРБ-3



1. Конус
2. Рама
3. Фланец
4. Хомут
5. Вибратор
6. Амортизатор
7. Шабла
8. Шабла
9. Шилька
10. Нож
11. Кожух защитный
12. Планка пружинная
13. Сетка
14. Рукоб

Станция растаривания биг-бэгов СРБ-4



1. Конус
2. Рама
3. Фланец
4. Хомут
5. Вибратор
6. Амортизатор
7. Шабла
8. Шабла
9. Шилька
10. Нож
11. Кожух защитный
12. Планка пружинная
13. Сетка
14. Рукоб

## BIG BAGS UNLOADING STATIONS

### SRM

#### APPLICATION

Bags unloading stations SRM manufactured by 'Stromizmeritel' are used for agitating and uniform emptying flowing and small lumps materials (up to 6 mm) in different industries.

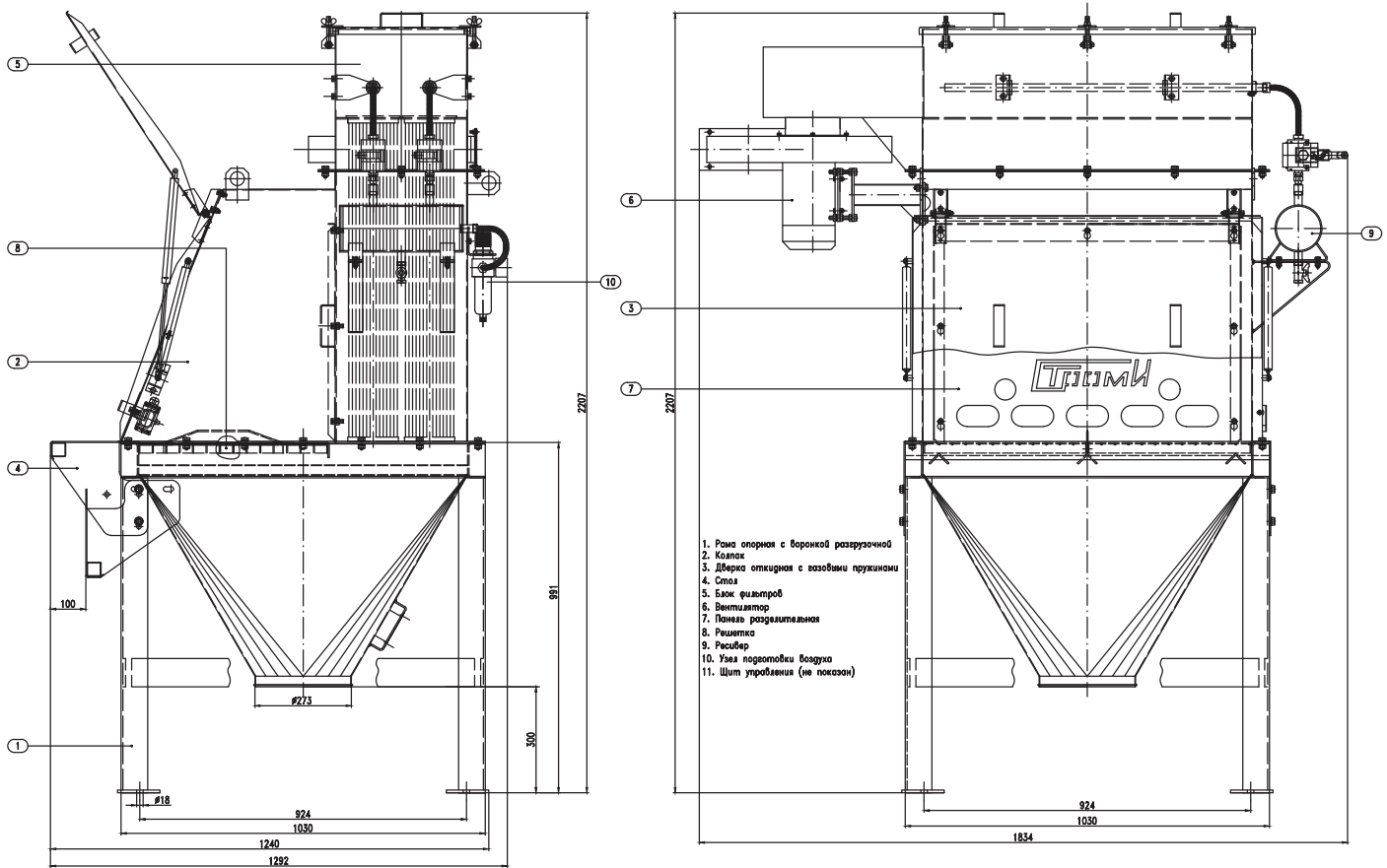
Conditions of the big bag unloading station SRM operation:

- ambient temperature, °C (K).....from 0 to +50 (273...323)
- relative air humidity, %.....90 (at t=25°C)
- atmosphere pressure, kPa (mm Hg),.....84-106,7 (630-800)
- electric power supply parameters are indicated in the table.

#### BASIC TECHNICAL SPECIFICATIONS

Parameter name	Value
Maximum bag size (length), mm	800
mesh size поверхности опорожнения мешка, мм	33x30
Material moisture content, %, up to	2,0
SRM control	Manual, электропневматическое
Power network characteristics: – kind of current – control network voltage, V – power equipment network voltage, V – frequency, Hz	Alternating current 220±22 380±38 50±1
Pressure of pneumatic network supply, MPa	0,5±0,1
Compressed air consumption (under normal conditions), m <sup>3</sup> /min	7,56
Power consumption, kW: fan FUK-2100/СП, кВт pneumatic distributors EVG342-4D-04FA-Q, BA	0,75 2x12,7
Dimensions (lengthxwidthxheight),mm	1834x1292x2207
Mass, kg, up to	375

## Станция растаривания мешков СРМ



STROMIZMERITEL

34-A, Sovnarkomovskaya Str., Nizhny Novgorod, 603086, Russia

Phone/Fax: +7 (831) 435-13-70, 8 (800) 550-59-70. E-mail: stromizmeritel@rambler.ru

# BIG BAG LOADING STATION

## UZH-1

### APPLICATION

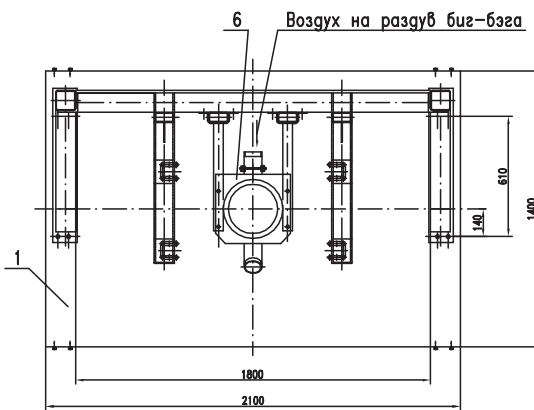
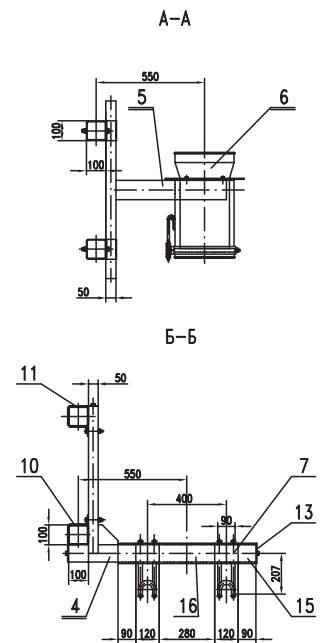
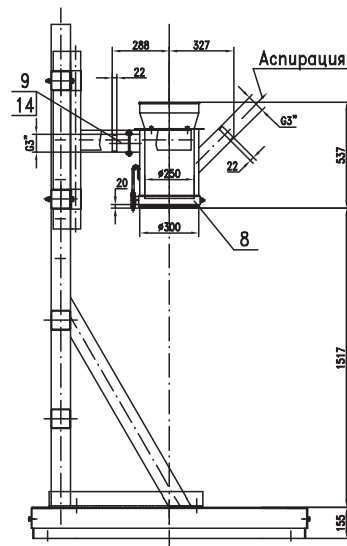
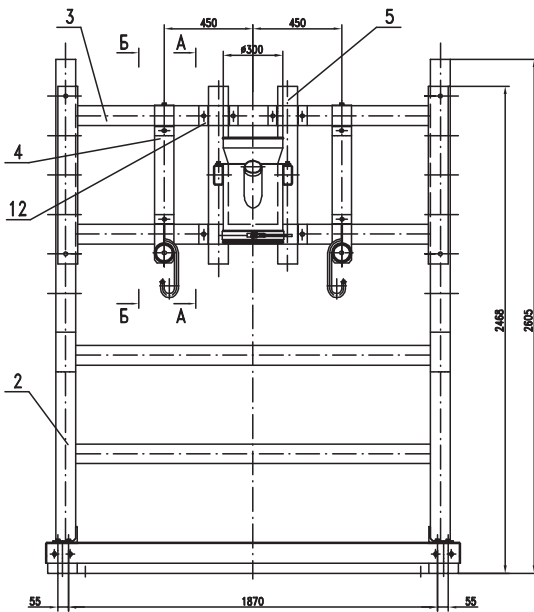
The big bag loading station UZH-1 is used for big bags dosing loading of dry flowing materials with mesh size up to 50 mm and bulk density up to 2,5 g/cm<sup>3</sup> under ambient temperature from +5° to +50° C. In the process of filling bags the big bag loading stations UZH-1 manufactured by 'Stromizmeritel' allow to control the weight of the materials filled as per digital display of the control block. In UZH-1 a big bag is put directly on a strain-measuring platform scales. The stations are equipped with air supply nozzles for blowing bags and aspiration pipe-bends for dust-loaded air.

### BASIC TECHNICAL SPECIFICATIONS

Parameter name	Value
The biggest limit of proportioning, kg	<b>2000</b>
The lowest limit of proportioning, kg	<b>500</b>
Limit of permissible variations of the dose weight mean value, kg	<b>1,0</b>
Strain gage transducer type	<b>BSA-1</b>
Strain gage transducer quantity, pcs	<b>4</b>
Dimensions, mm (length × width × height)	<b>1400x2100x2605</b>
Mass, up to, kg	<b>550</b>



## Устройство затаривания биг-бегов УЗБ-1



- 1 Платформа весовая
- 2 Рама
- 3 Рама распорная
- 4 Кронштейн
- 5 Кронштейн
- 6 Обечайка
- 7 Крак
- 8 Хоут
- 9 Переходник
- 10 Зажим
- 11 Зажим
- 12 Зажим
- 13 Шайба
- 14 Прокладка
- 15 Труба
- 16 Труба

# BIG BAG LOADING STATION

## UZB-2

### APPLICATION

The big bag loading station UZB-2 is used for big bags dosing loading of dry flowing materials with mesh size up to 50 mm and bulk density up to 2,5 g/cm<sup>3</sup> under ambient temperature from +5° to +50° C. In the process of filling bags the big bag loading stations UZB-2 manufactured by 'Stromizmeritel' allow to control the weight of the materials filled as per digital display of the control block. In UZB-2 big bag is put on an electric truck which moves from a weight-measuring position to a take-off position of the filled big bag. The stations are equipped with air supply nozzles for blowing bags and aspiration pipe-bends for dust-loaded air.

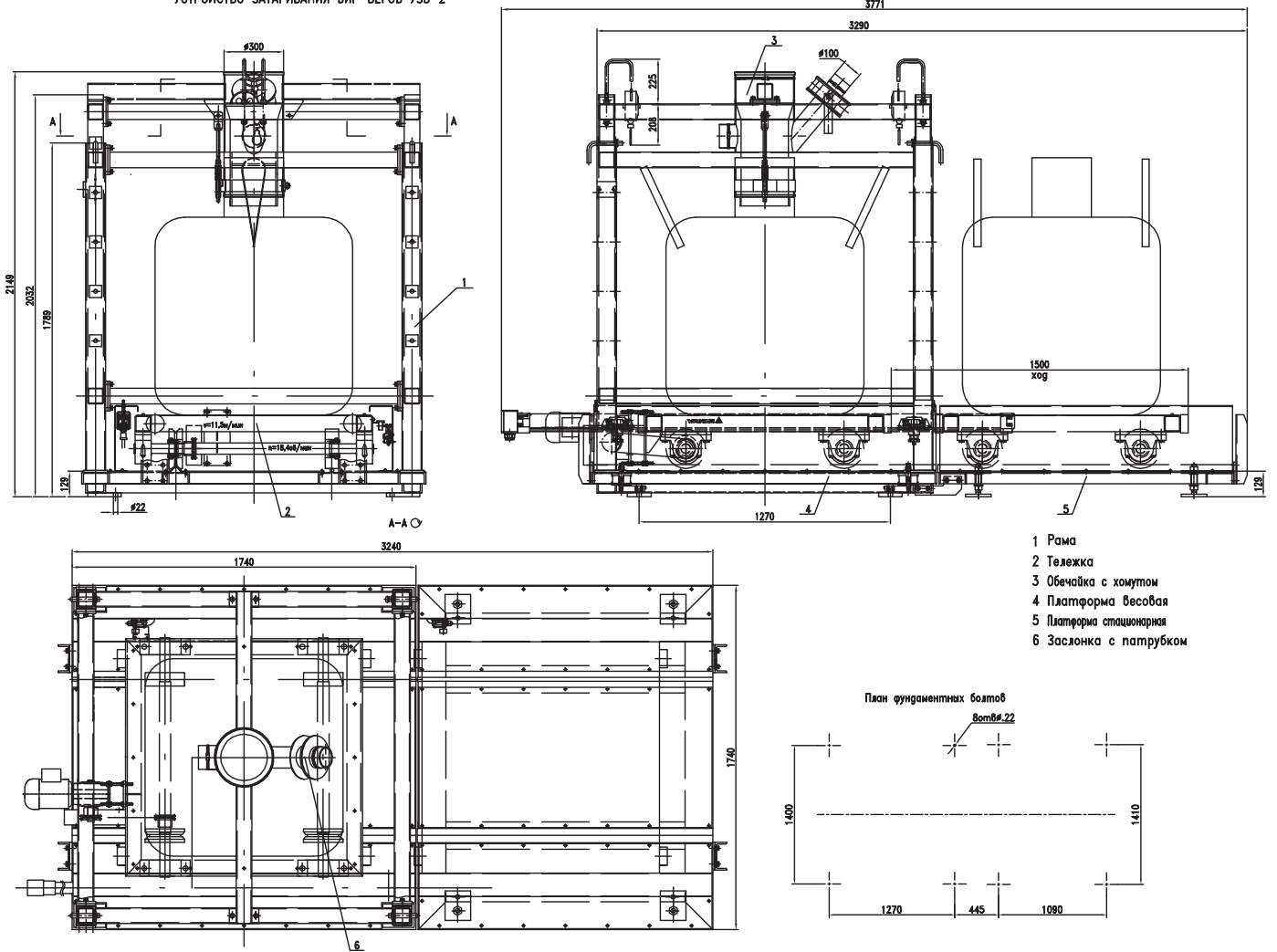
Conditions of the big bag loading station UZB-2 operation:

- ambient temperature, °C (K).....from +5 to +40 (278...313)
- relative air humidity, %.....90 (at t=25°C)
- atmosphere pressure, kPa (mm Hg),.....84-106,7 (630-800)
- electric power supply parameters are indicated in the table.

### BASIC TECHNICAL SPECIFICATIONS

Parameter name	Value
The biggest limit of proportioning, kg	<b>2000</b>
The lowest limit of proportioning, kg	<b>500</b>
Limit of permissible variations of the dose weight mean value, kg	<b>1,0</b>
Strain gage transducer type	<b>BSA-1</b>
Strain gage transducer quantity, pcs	<b>4</b>
Control	<b>electric</b>
Power supply voltage of load station control board, V	<b>380 ±38 AC</b>
Electrical network frequency, Hz	<b>50±1</b>
Power consumption, kW	<b>0,75</b>
Gear-motor drive type	<b>W75 U-50 S2 B3 M2SB6 230/400-50 IP55 CLF N</b>
Double-chain drive gearing	<b>t=12,75 mm, i=1</b>
Maximum electric truck speed, m/min	<b>11,5</b>
Dimensions, mm (length × width × height)	<b>3771x1740x3149</b>
Mass, up to, kg	<b>750</b>

УСТРОЙСТВО ЗАТАРИВАНИЯ БИГ-БЕГОВ УЗБ-2



**STROMIZMERITEL**

34-A, Sovnarkonovskaya Str., Nizhny Novgorod, 603086, Russia

Phone/Fax: +7 (831) 435-13-70, 8 (800) 550-59-70. E-mail: stromizmeritel@rambler.ru

